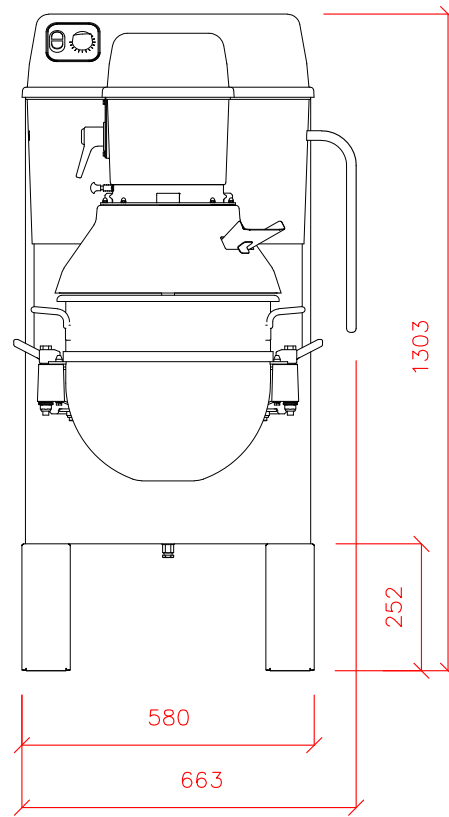
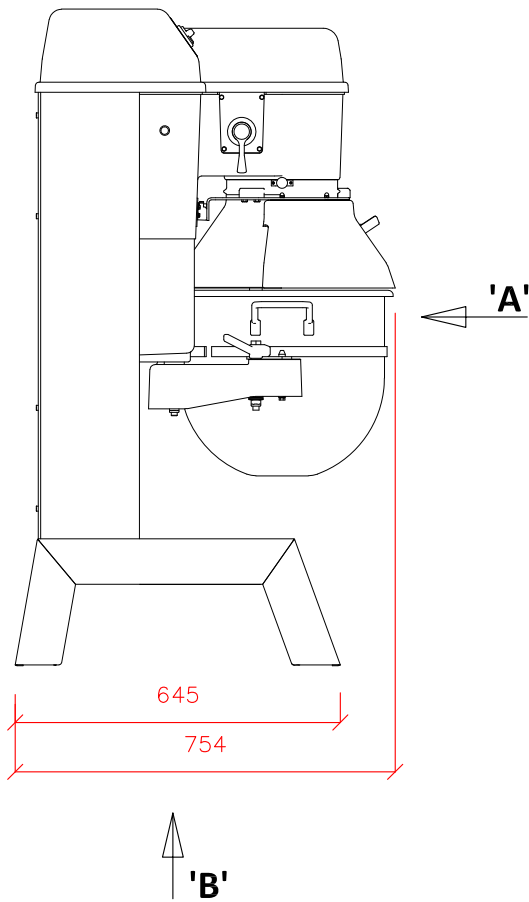
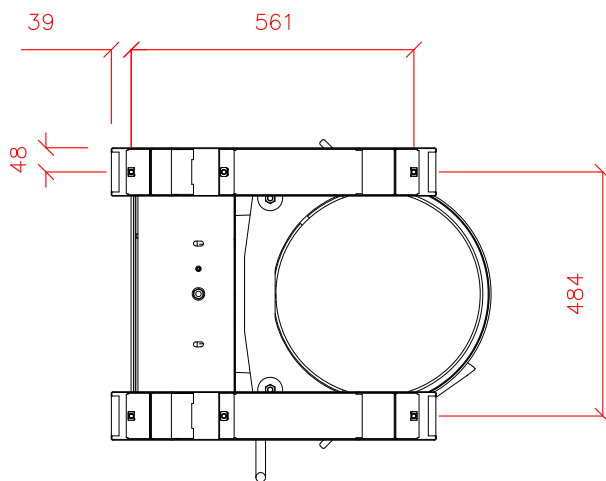


40 Litre Floor Standing Mixer

HSM40-F3E



View on 'A'



View on 'B'



1 Electric - (3 Phase Supply)

1.1kW - 400/50/3 Recommended to be fused at 10amps

2 Weight

Mixer weight including agitator and bowl (empty) - 205kg
Shipping weight (on wooden pallet). - 223kg

PLOT SCALE: 1:15