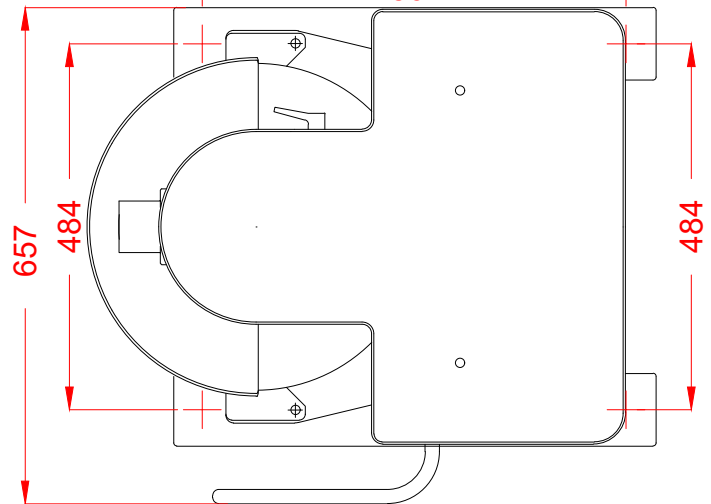
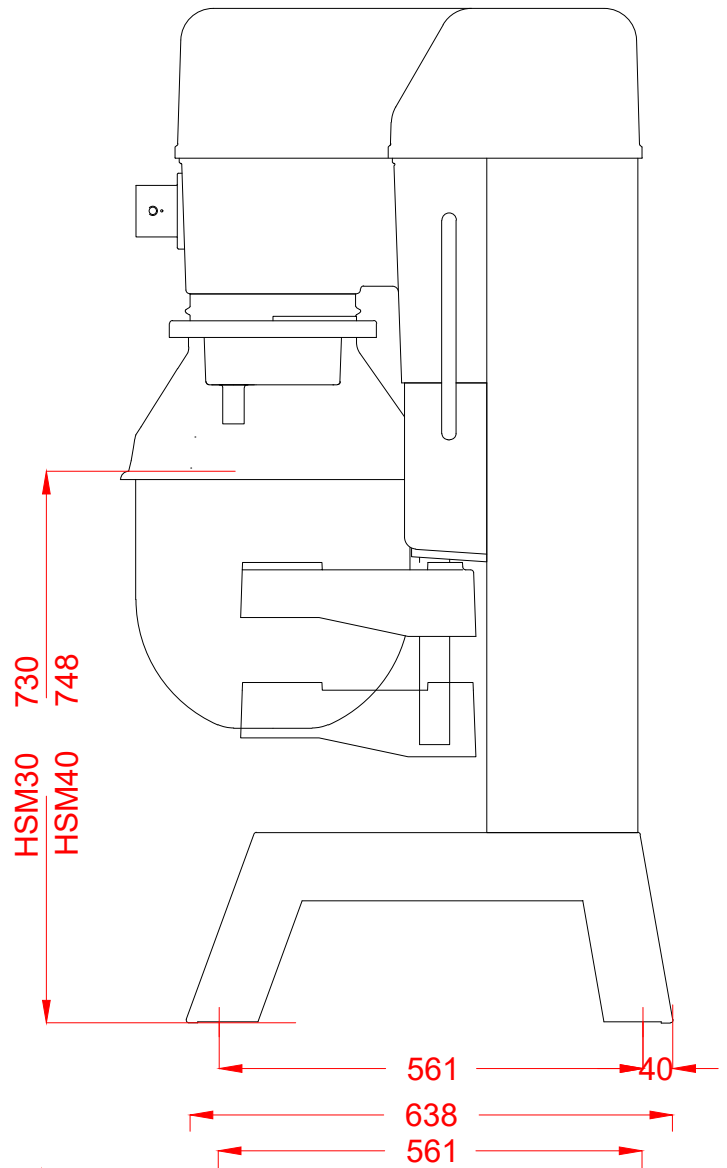
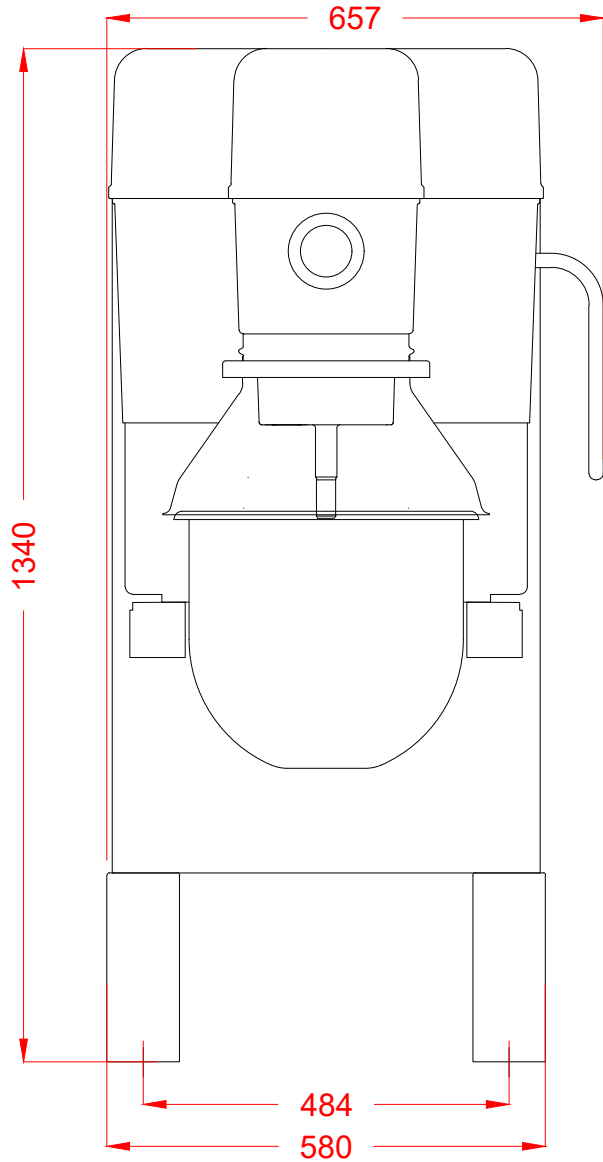


40 Litre Floor Standing Mixer with No.12 Attachment Hub

HSM40-F1HE



1 Electric

230/50/1 1.1 kW 6.5 amps.
FUSE AT 20 amps.

PLOT SCALE: 1:10

RIGHT TO MAKE NECESSARY CHANGES IS RESERVED