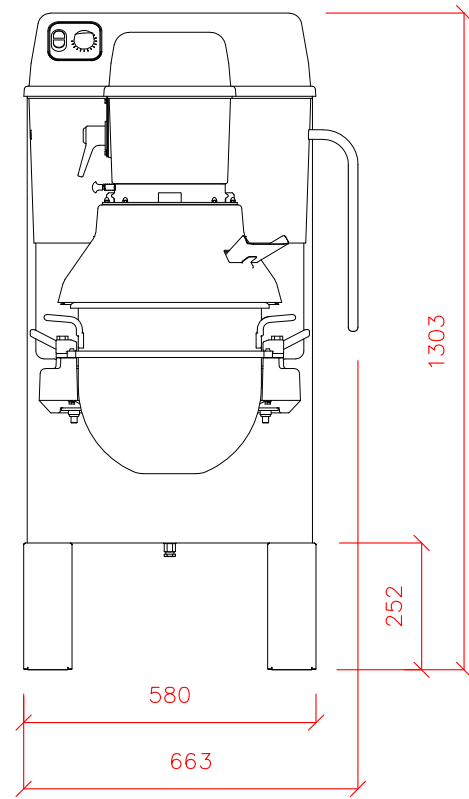
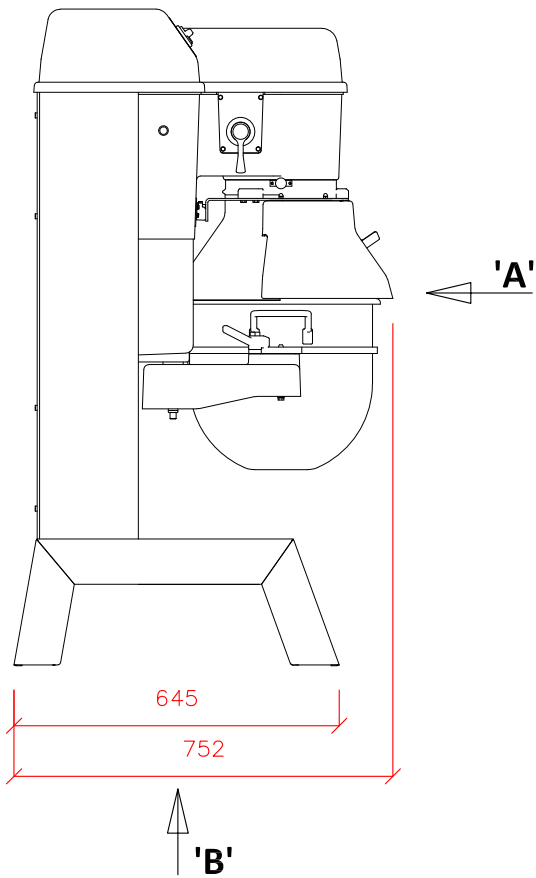
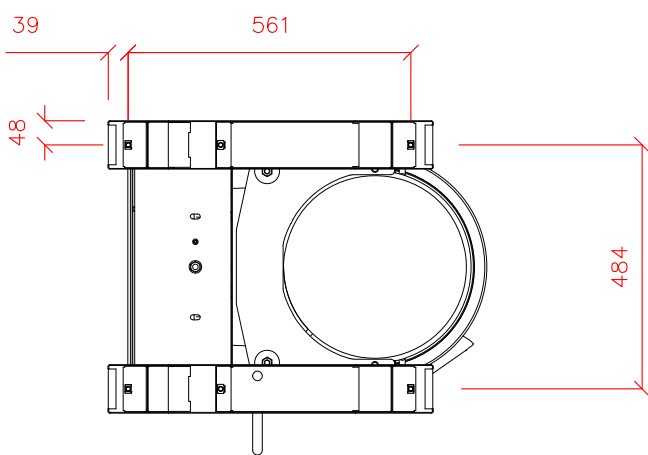


30 Litre Floor Standing Mixer

HSM30-F3E



View on 'A'



View on 'B'



- 1** Electric - (3 Phase Supply)
1.1kW - 400/50/3 Recommended to be fused at 10amps
- 2** Weight
Mixer weight including agitator and bowl (empty) - 204kg
Shipping weight (on wooden pallet) - 222kg