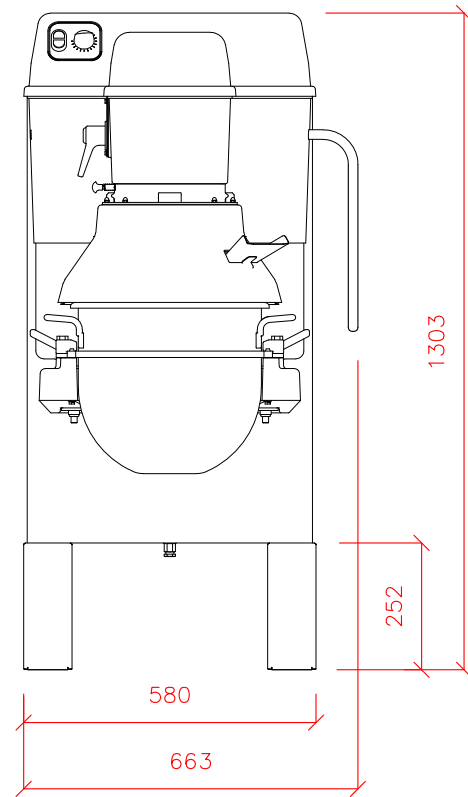
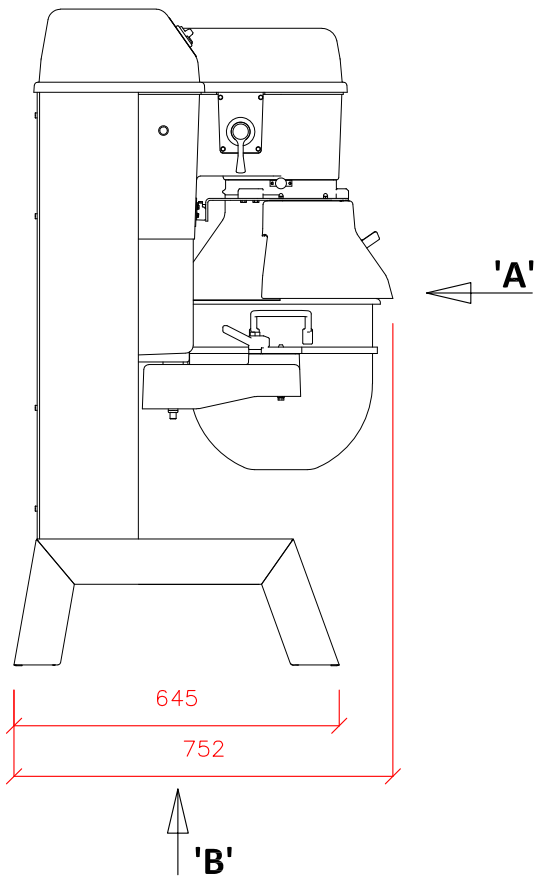
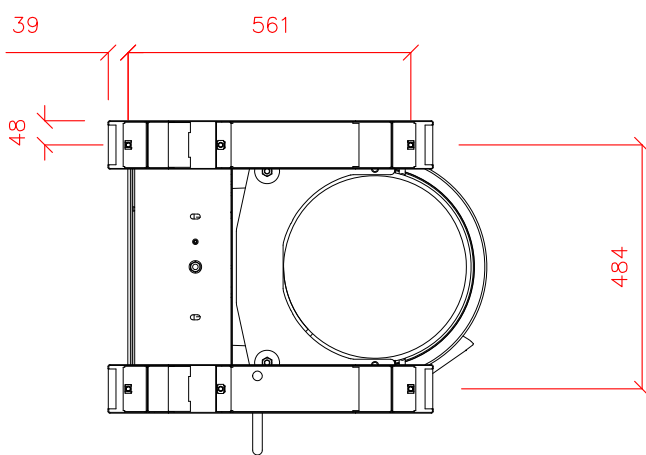


30 Litre Floor Standing Mixer

HSM30-F1E



View on 'A'



View on 'B'



1 Electric - (1 Phase Supply)

1.1kW - 230/50/1 Recommended to be fused at 20amps

2 Weight

Mixer weight including agitator and bowl (empty) - 204kg
Shipping weight (on wooden pallet) - 222kg

PLOT SCALE: 1:15