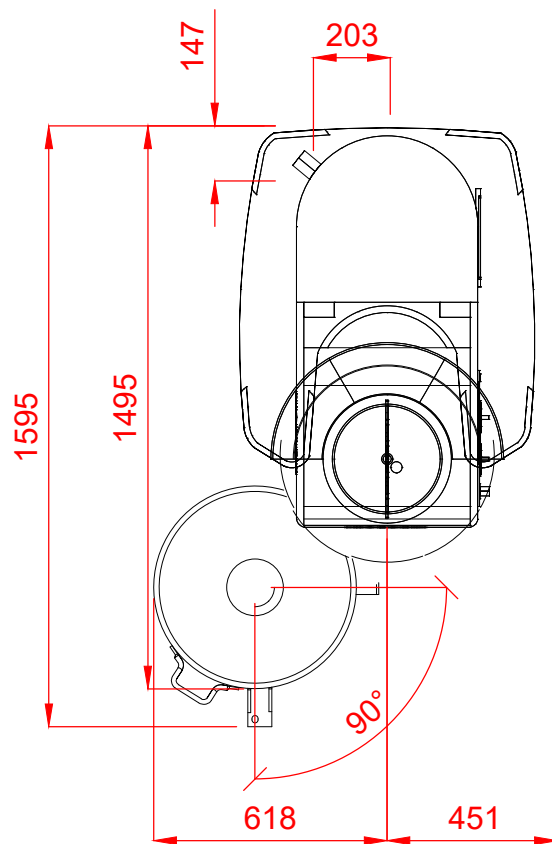
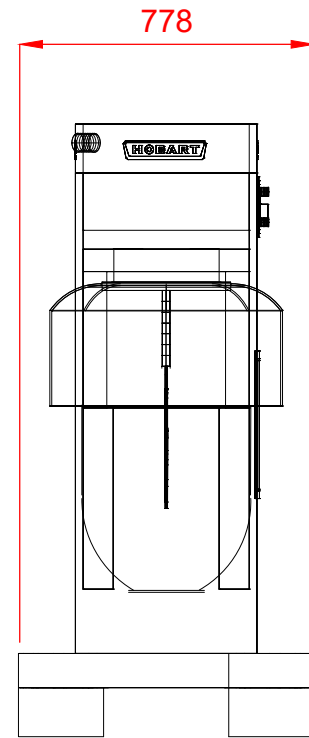
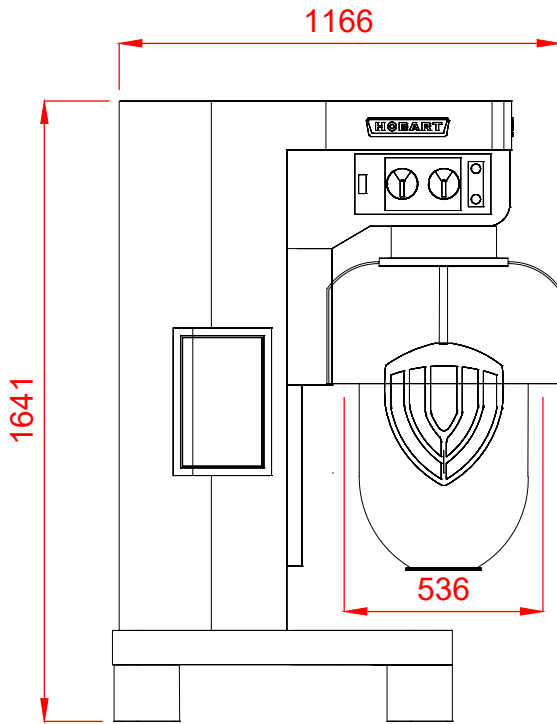


80 Litre Floor Standing Mixer

HL800-10



1 Electric  
400/50/3 2.2kW  
WEIGHT EMPTY 599kg

PLOT SCALE: 1:20

RIGHT TO MAKE NECESSARY CHANGES IS RESERVED