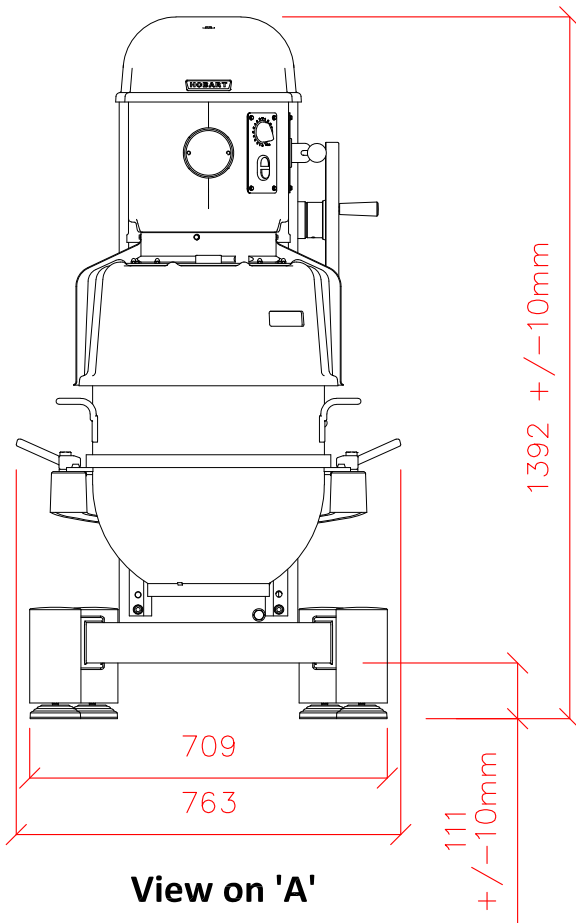
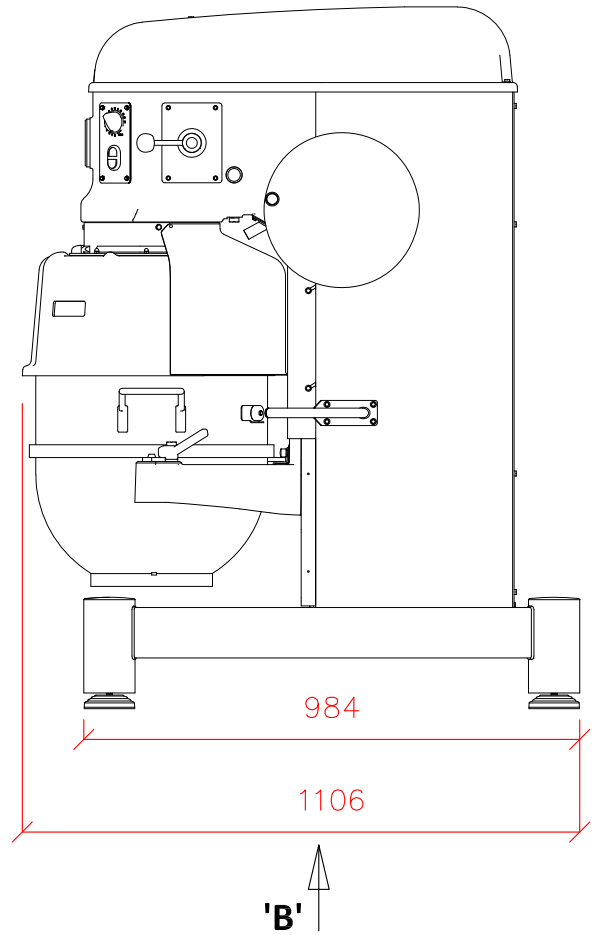


60 Litre Floor Standing Mixer

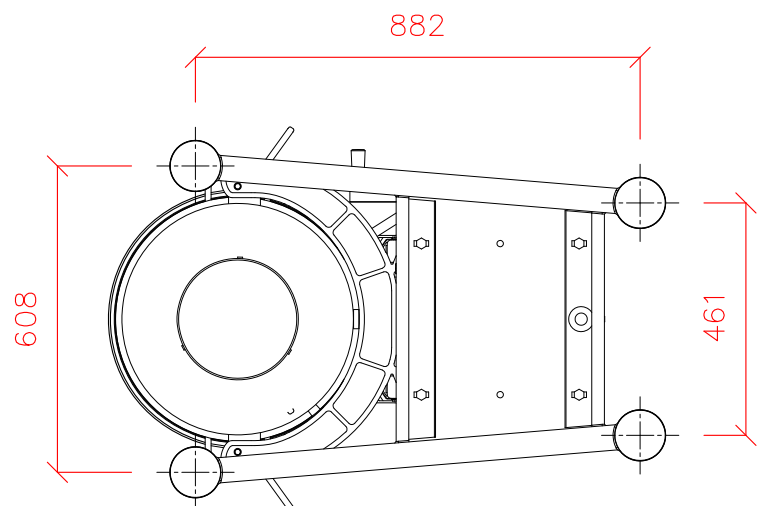
H600SS-F3ME



'A'



'B'



View on 'B'

- | | |
|----------|-------------------------------------------------------------------------------------------------------------------|
| 1 | Electric - (3 Phase Supply)
1.5kW - 400/50/3 Recommended to be fused at 10amps |
| 2 | Weight
Mixer weight including agitator and bowl (empty) - 249kg
Shipping weight (on wooden pallet), - 271kg |