

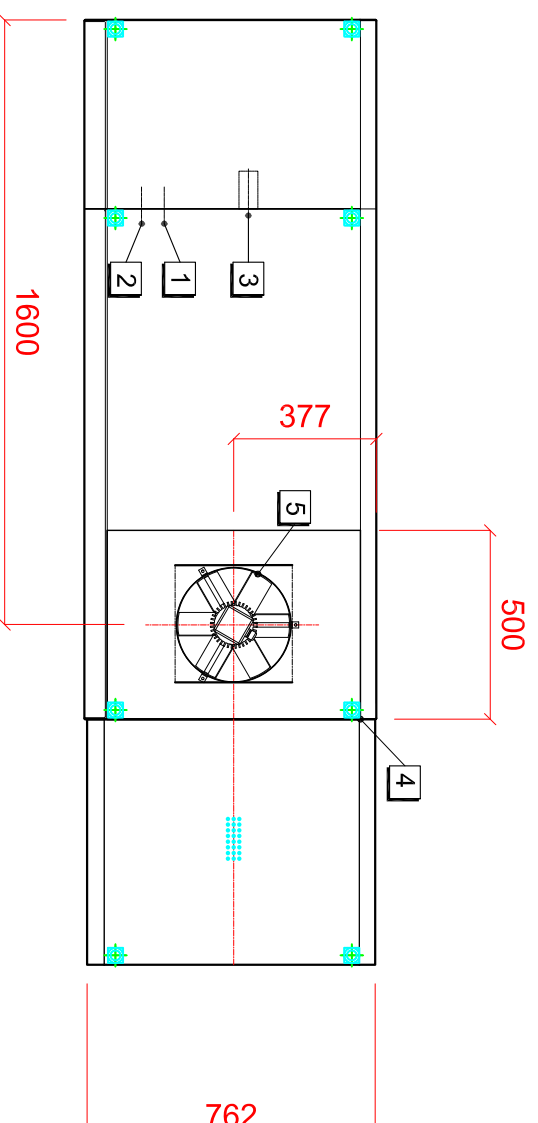


ecomax plus
by HOBART

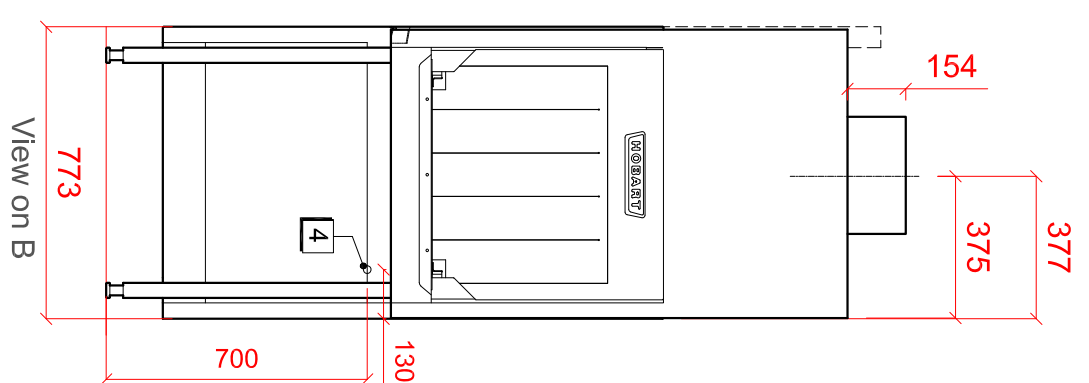
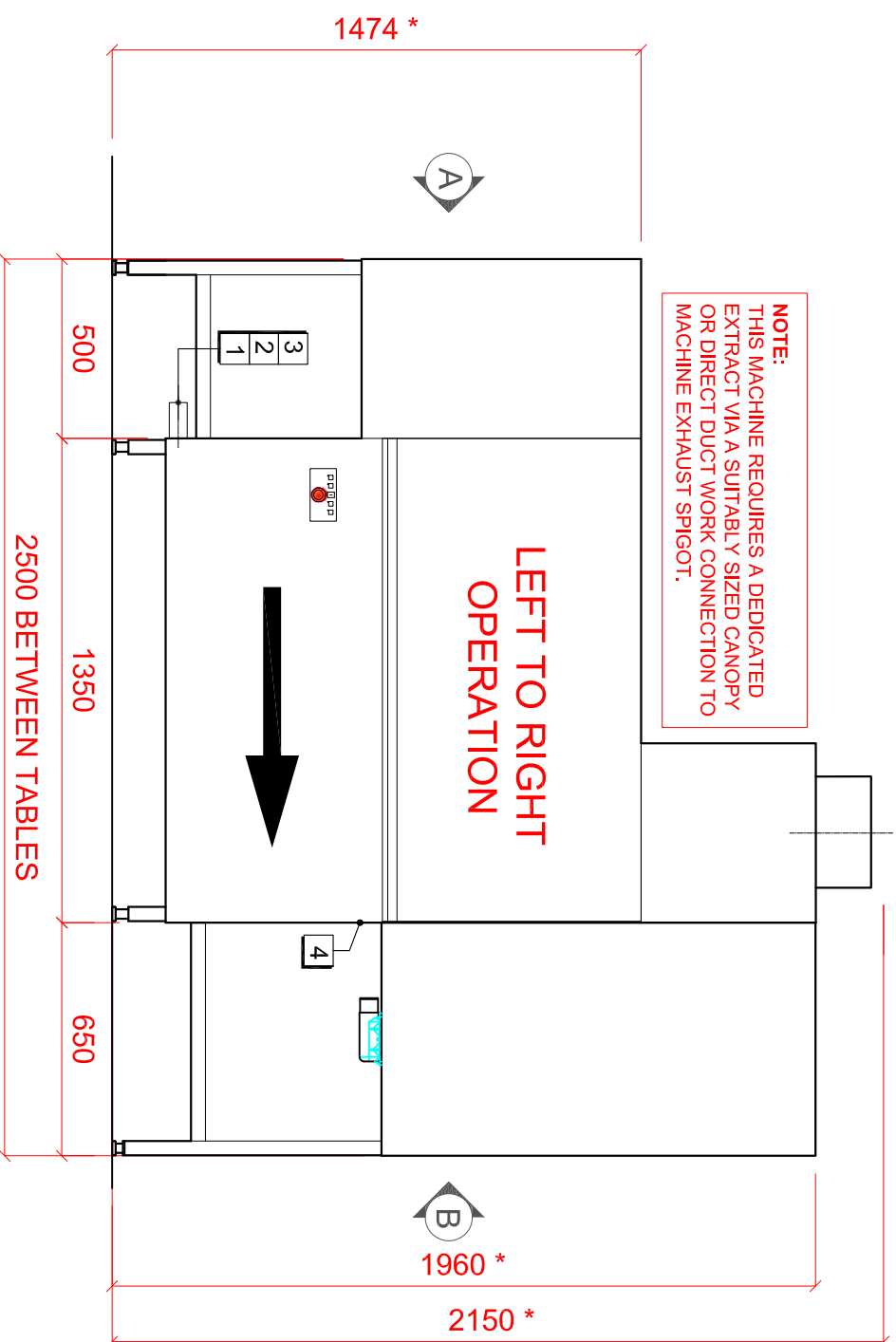
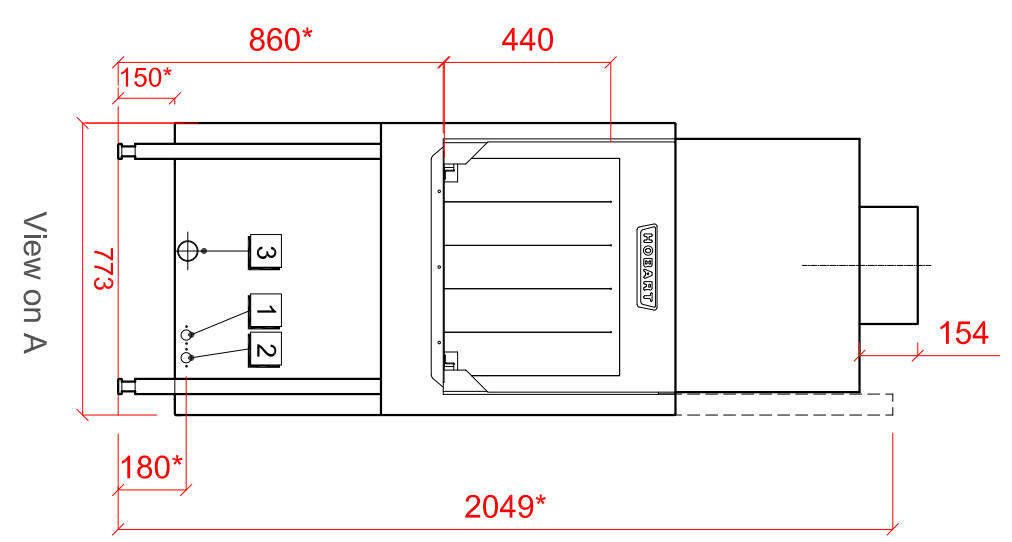
ECOMAX (HOBART UK)
SOUTHGATE WAY,
ORTON SOUTHGATE,
PETERBOROUGH,
PE2 6SN
TEL: 0370 168 8881
www.hobartindependent.co.uk

Rack Type Dishwasher with Pre-Wash and Dryer - Left to Right Operation

C815E-A ED



NOTE:
THIS MACHINE REQUIRES A DEDICATED EXTRACT VIA A SUITABLY SIZED CANOPY OR DIRECT DUCT WORK CONNECTION TO MACHINE EXHAUST SPIGOT.



1 Water for Rinse

2 Hot Water for Tank Fill

3 Main machine drain

4 Electric Loading

5 Extract requirements

HOT FEED
3/4" B.S.P. Approx 50°C
1.5 BAR MIN TO 6.0 BAR MAX.
MAX HARDNESS 8° CLARK.

3/4" B.S.P. Approx 50°C
1.0 BAR MIN TO 6.0 BAR MAX.
INITIAL TANK FILL 110 LITRES.
MAX HARDNESS 8° CLARK

MAIN MACHINE:
GRAVITY DRAIN 50mm INSIDE DIAMETER.
PEAK FLOW RATE 55 LITRES/MINUTE.

COLD FEED

3/4" B.S.P. Approx 10°C
1.5 BAR MIN TO 6.0 BAR MAX.
MAX HARDNESS 8° CLARK.

NOTE:
FILLING WITH WATER AT LESS THAN 50°C
WILL INCREASE INITIAL HEAT UP AND
RECOVERY TIMES.

C815E-A ED(Hot Feed Approx 50°C to Booster)
400/50/3 + N + E 25.3kW Fuse at 50amps/Phase.
C815E-A ED/Cold Feed Approx 10°C to Booster)
400/50/3 + N + E 32.8kW Fuse at 63amps/Phase.

MACHINE FITTED WITH EXHAUST FAN DISCHARGING 280m³/hr AT 44°C-46°C AND 90-98% FT. THERE SHOULD BE A GENERAL PROVISION FOR ROOM VENTILATION DELIVERING A MINIMUM OF 30 AIR ROOM CHANGES PER HOUR AS PER LATEST DW172 SPECIFICATION

Notes

CLASS 'AB' AIR GAP FITTED AS STANDARD.
HEIGHTS MARKED * REPRESENT ±25mm.
MINIMUM CLEARANCE FROM REAR WALL 44mm.

PLOT SCALE: 1:20